

80

110



150

200

KOMATSUTM
HIGH PERFORMANCE SHOULD NOT BE OPTIONAL[©]



Komatsu: A Heritage of Innovation

Technological innovations that increase capacity, productivity and performance have been the hallmarks of Komatsu Press Division since its inception more than 90 years ago. Over the years, Komatsu has demonstrated a commitment to respond to customer demands and originate technologies and systems to meet the needs of a global marketplace. Today, Komatsu continues to build on its tradition of engineering excellence to create equipment that satisfies the complex demands of a competitive, highly technical and complex metal stamping industry.

1924

Komatsu leverages its technologically-innovative capabilities for heavy equipment in the mining

industry to create the Komatsu Press Division and introduces its first low-maintenance stamping press, featuring the durable clutch-brake unit.

Komatsu perfects its proprietary plunger guide system, which produces 30 percent longer die life and improved part quality. The plunger guide eliminates virtually all lateral movement, allowing tighter gib tolerances and precision slide movement. This technology quickly becomes an industry standard.

Komatsu Press Division wins the Deming Prize for engineering excellence, the first Japanese press manufacturer to receive this coveted engineering award. This acknowledgment strengthens Komatsu Press Division's position as worldwide industry leader.

Komatsu's Super-series of single point gap frame presses brings product standardization to the industry with standard models, features and specifications for added value and performance.



In response to needs in the U.S. auto manufacturing market, Komatsu develops fully-automatic transfer presses that deliver high-productivity features, such as fully automated die change and the first servo-controlled transfer feeder.

High-strength, low-alloy carbon steel and other high-strength metals replace traditional metals in production of common stamped parts. Realizing the limitations of traditional flywheel-driven powered presses in forming these materials, Komatsu launches a comprehensive development process to bring modern CNC servo technology into the stamping arena. Komatsu engineers build on years of experience in servo drive systems.

The OBS Gap Frame Press: Designed for Superior Reliability and Consistency.

- Ideal for progressive or manual die operations
- Superior deflection characteristics
- Superior off-center load characteristics
- Faster stopping times with actual digital display
- Higher production rates in single stroke mode
- Higher counter balance capacity
- Improved part quality
- Increased die life

A Higher Level of Standard Equipment for Increased Performance

- Heavy plate, rigid frame construction
- U.S. standard bolster and slide machining
- Pneumatic counterbalance
- Single-piece, heavy duty cast steel slide
- Push-button controlled, motorized slide adjustment
- Eccentric crank shaft main drive
- Precision lubricated long 6-point gibs
- Hardened and ground helical gears
- High-efficiency AC inverter drive
- High-torque wet clutch and brake
- Quick-responding, dependable hydraulic overload protector
- Shock resistant, pendant-mounted control
- T-stand for easy set-up and operation
- Up to 100 Job Memory
- Safety block with interlock

The Komatsu Warranty

When a press is designed as a system, it should be expected to perform as a system without routine tear downs for wear items. That's why every Komatsu OBS press comes with a Two Year Unconditional Warranty on anything the rolls, slides, or glows – Parts and Labor. Unlike other manufacturers, there is no hourly limit—your press is guaranteed to perform 3 shifts a day, 7 days a week, 365 days a year. With Komatsu systems engineering it's possible to extract the full potential from your press, and the full revenue potential from every job.

KOMATSU™
HIGH PERFORMANCE SHOULD NOT BE OPTIONAL ©

**Helical Cut
Main and Drive
Gearing**

**Hydraulic
Overload**

Reliable and quick-responding
(protection of press)

**Single Piece
Cast Steel Slide**

with Removable Adapter Plate
on models 110 and above

**Bolster and
Slide Machining**

U.S. Standard "T" Slots
and pin holes in bolster

Prepared for
Mechanical Knockout

T-Stand

All switches and push-buttons
necessary for ordinary press
operation, including
slide adjustment

OBS

80
110
150
200

Komatsu OBS Series Gap Power Presses

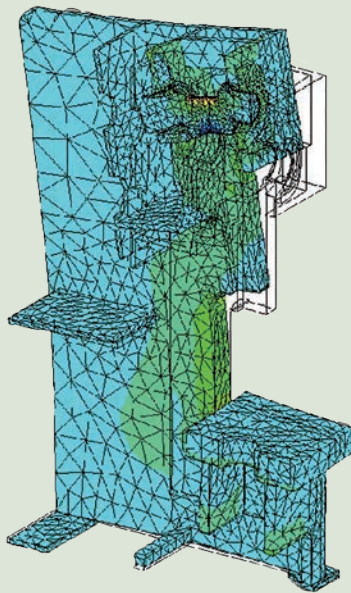


Standard Features

1 Frame and Bolster

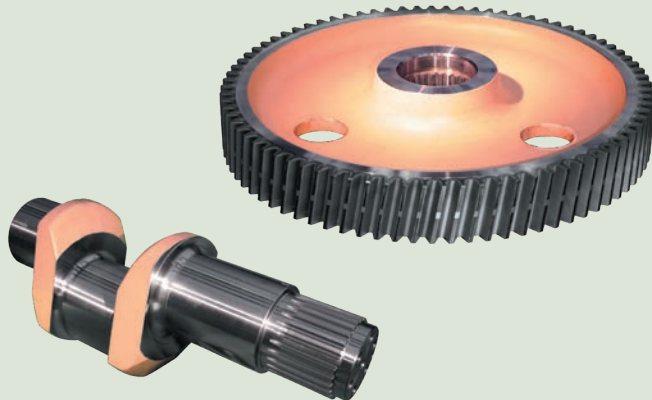
Engineered quality. While most gap presses are associated with a greater level of deflection, the Komatsu series breaks the stereotype by maintaining the lowest deflection available. No matter what size of job you spec with a Komatsu, there is no compromise to the characteristics of the frame or the accessibility to the bed area.

The highly rigid frame, slide and bolster combine to hold all deflection characteristics to a minimum, setting the new industry standard.



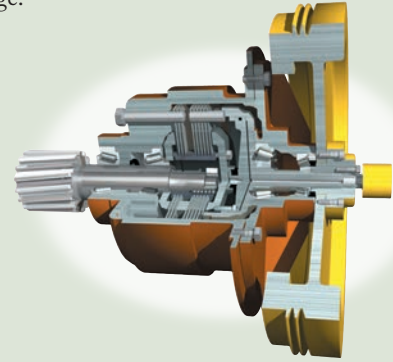
2 Main Drive Train

Splines are used for all drive connections to assure smooth and even distribution of torque during operation. Isolated oil compartments provide continuous lubrication of major drive components and control thermal expansion of the frame.



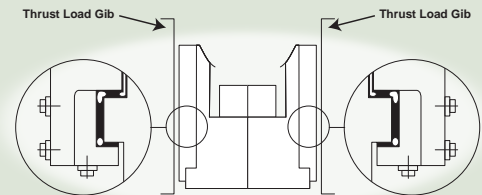
3 Clutch and Brake

Productivity and reliability. The wet, multiple disc clutch and brake provides higher single stroke operation rates through-put while providing quicker stopping time in all modes of operation. The unit is housed in a continuous-lube, separate oil bath from the main drive, providing superior heat dissipation capabilities. No maintenance operations are normally required, other than an annual fluid change.



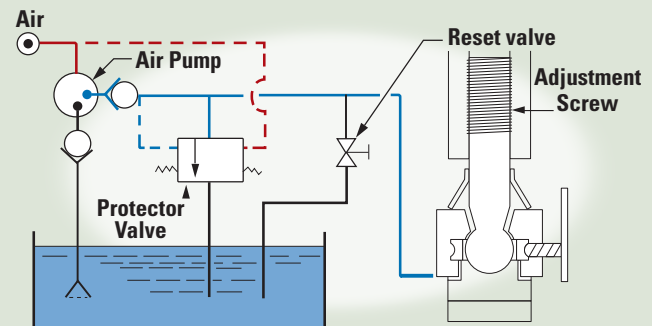
4 Heavy-duty slide construction

A heavy single-piece cast steel slide is used for increased rigidity. The slide construction is true box-type with narrow flanges and standard provisions for tooling attachment. A motorized slide adjustment with analog display is standard. The die height is displayed in metric units of 0.1mm for precise slide adjustment. The slide is guided primarily by full-length, six point gibs. The precision of the gibbing is a true advantage with tooling, allowing tight tolerances between the punch and die.



5 Hydraulic Overload Protector

Helps prevent damage to the press and dies. All Komatsu presses are equipped with a hydraulic overload protector, a standard feature that has been standard for decades helping to protect against damage to the press or die sets. If the rated load is exceeded, the press stops automatically. Since the hydraulic pressure can be released easily, operations can be resumed smoothly even if jamming occurs.





SIT® - System Integrated Terminal

Advanced electronics technology provides user-friendly operation and outstanding reliability. The Komatsu electronic press control unit is designed to provide the fastest, easiest, and most reliable control available for all press functions. Included as standard equipment on the Komatsu OBS press, this control incorporates all the latest thinking in press control unit design.

- All information necessary for press set-up, start-up, operation and diagnostics is available in one display, at the touch of a button.
- Language terminology and graphics are user-friendly, easily understood by the press operator in plain view in one central location on the digital display. The display also includes plain language descriptions of fault messages.
- The press control has the ability to integrate with current press room equipment, such as electronic coil feeds.
- Operator “T-stand” control interface houses all switches and push-buttons required for ordinary press set-up and operation, including Push Buttons for slide height adjustment.
- Die Data job storage function can store and retrieve die setting data for up to 100 different jobs, including settings for the ejector cam, programmable limit switch, and die protection detection operation angles.
- Alpha-numeric entry of die name and memo data for easy cataloging and referencing.
- 8.4” Color Screen
- Digital Total Counters
 - 1-production, re-settable
 - 1-lot (pre-set), re-settable
- 8 - Electronic rotary cams
- 1- Pneumatic air ejector with cam
- Mode Selections:
 - Off, Inch, Single Stroke, Continuous, and Automatic Single Stroke
- Interface for Coil Line Equipment

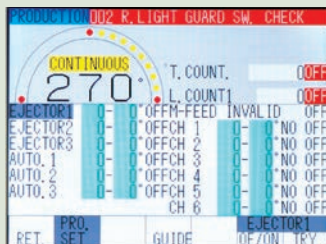


Simple guidance. The press control displays operational procedure guidance for select press functions. Intuitive, user-friendly prompts guide press operators in a logical series of steps, for faster, more reliable press set up and operation.

Printed Circuit Surface Mount Technology design gives outstanding reliability.

- Integrated Circuits are used for all Logic Control circuits
- Cross-checking duplex circuits for clutch brake control are used on each stroke (patented)
- Increased safety, longer operation life and high reliability

Digital display for improved operation performance. The digital display of the crank angle and electronic angle detectors provide increased accuracy for press operations. Automatic operation setting and die set-up functions are easier and faster for press operators, with precise, reliable settings every time. To protect the integrity of all electronic systems and provide additional safety, monitor lamps indicate status of circuits for all electronic systems, and faults are detected instantly.



Optional Features

Electronic Load Monitor (2-channel) Load monitors are available to continuously monitor loads in all press operations, including blanking, bending, drawing, etc. The monitor also detects die overloads and underloads during operation. With this feature you can watch for off-center loads of your tool, thus allowing you to correct it and extend both your press and die life.

Emergency Stop Receptacle

Top Stop Receptacle

Die Cushions

Vibration Isolating Pad

Slide Knockout (mechanical)

Quick Die Change Equipment / Interface

- Hydraulic die clamps available in either lever or cylinder type.
- Hydraulic die lifters.
- Mechanical draw out rails.
- (note: re-machining of “T” slots may be required)

Presence-Sensing Safety Devices

Additional Electronic Rotary Cams

Additional Air Ejectors with Cams

Die Protection/Misfeed System

100 Job Memory

Warning - For protection of the operator, “point of operation” (use) guards should be used at all times. ANSI B11.1 specifies point of operation guarding is the user’s responsibility; therefore such guards are not included with the machine.

Note - Brake monitor and control reliability. This control meets the current requirements of O.S.H.A. Standards Section 1910.217 and ANSI B11.1.

Automation Complete turn-key Komatsu-designed press systems including coil lines, die carting and systems engineering tailored to your specific application.



1998

Komatsu introduces the world's first standard hybrid AC servo press. Brilliantly combining the toggle link drive of

forging press models with that of modern and efficient AC servo drive systems, the new "Free Motion" of the slide motion path brings together the productivity of a mechanical press with the motion control of a hydraulic press.

Komatsu demonstrates continued engineering excellence with a series of single-point servo presses in standard models ranging from 35 to 200 metric tons as well as standard models in two-point and four-point straightside frames up to 3,000 tons—offering size and capacity that no one else can deliver. As a result of the worldwide acceptance of Komatsu AC servo presses, the company further expands its servo technology division.

Komatsu produced the world's first modular, servo-controlled, multi-slide transfer press rated at 4,400 metric tons. The press features independent slide motion control for each of the seven slides. Komatsu continues to produce tandem lines rated up to 7,300 metric tons.

Komatsu creates its Automation Technology Division to develop new peripheral automation devices that enhance the technology and productivity advances of its AC servo presses. The division quickly brings new linear motor-controlled transfer feeders, high-speed tandem-line loader/unloader (H*TL) and fully programmable AC servo die cushion automation to market, making Komatsu the first to offer a fully-integrated AC servo technology system in support of customer needs.

Today

Komatsu has delivered over 4,000 AC servo presses into the global market, proof of the worldwide acceptance for the company's innovative technologies and products.



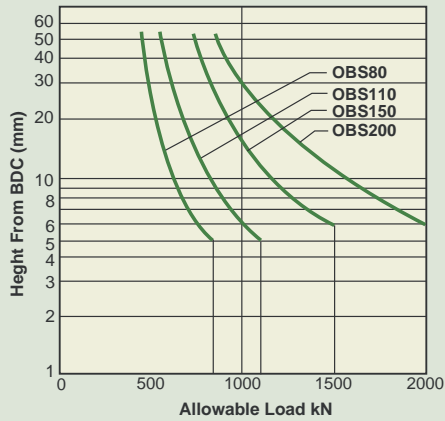
OBS

Komatsu OBS Series 80 110 150 200

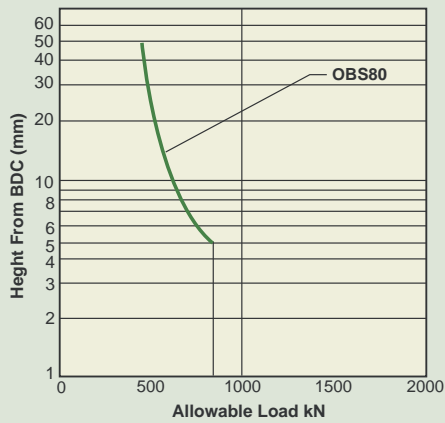


Capacity Curves

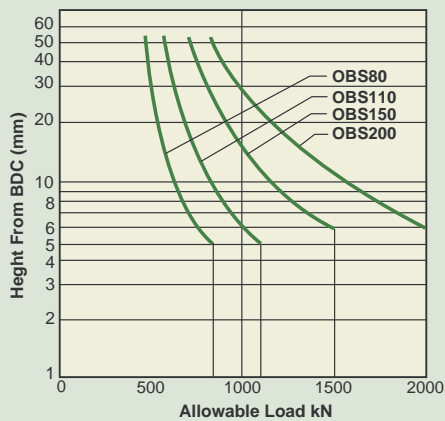
Standard Stroke (S)



Short Stroke (H)



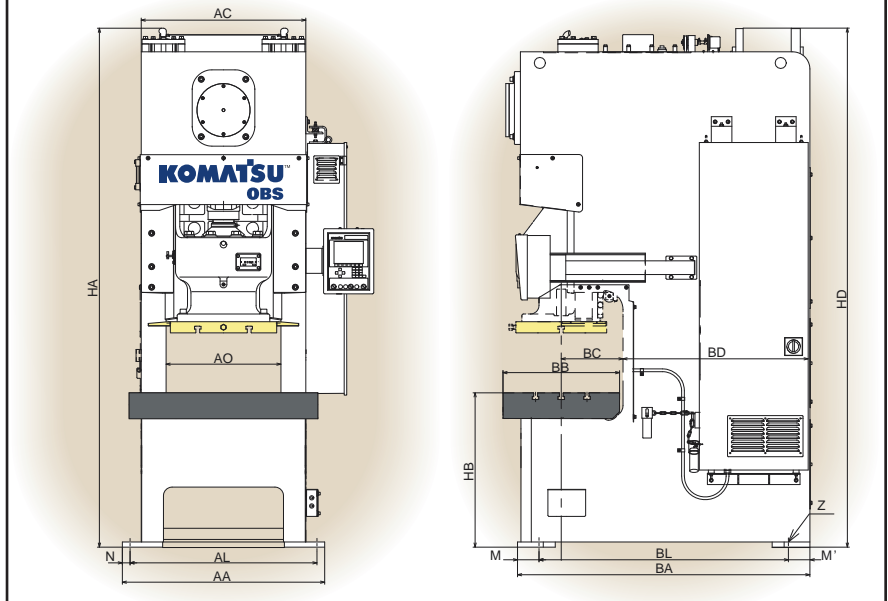
Long Stroke (L)



Specifications subject to change without notice.

KOMATSU
HIGH PERFORMANCE SHOULD NOT BE OPTIONAL[®]

General View



Dimensions (All inches)

Model	OBS80			OBS110			OBS150		OBS200	
	S	L	H	S	L	H	S	L	S	L
AA	39.4"			46.5"			50.8"		61.4"	
AC	33.9"			37.8"			42.5"		50.4"	
AL	37.0"			42.9"			47.6"		56.4"	
AO	25.2"			26.4"			28.3"		35.4"	
BA	60.2"	60.2"	59.3"	67.1"			76.0"		84.4"	
BB	23.6"	23.6"	18.1"	26.8"			29.9"		33.1"	
BC	12.6"	12.6"	9.4"	14.2"			15.4"		16.9"	
BD	39.8"	39.8"	42.9"	42.9"			50.0"		53.9"	
BL	52.6"	52.6"	51.6"	57.3"			64.4"		75.0"	
HA	109.1"	119.3"	106.1"	118.6"	130.0"		130.0"	141.4"	152.6"	163.9"
HB	35.4"			35.4"			35.4"		39.4"	
HD	108.4"	112.2"	107.1"	119.2"	123.5"		127.1"	131.8"	145.1"	149.6"
M	3.7"			4.9"			5.7"		4.9"	
N	1.2"			1.8"			1.6"		2.5"	
Z	1.3"			1.3"			1.3"		1.4"	

Specifications (All inches)

Model	OBS80			OBS110		OBS150		OBS200	
	S	L	H	S	L	S	L	S	L
Max. Capacity	short ton								
	88			121		165		220	
Limit of capacity	in.								
	.19"			.20"		.24"		.24"	
Slide strokes	in.								
	5.12"	7.09"	3.94"	5.9"	7.87"	7.87"	9.84"	9.84"	11.81"
Variable speed range	spm								
	37-75			55-110		32-65		27-55	
Die height	in.								
	12.6"	13.78"	11.81"	13.78"	14.96"	16.54"	17.72"	17.72"	18.90"
Slide adjustment	in.								
	3.15"			3.94"		3.94"		4.72"	
Slide dimensions (widthxdepth)	in.								
	21.65" x 17.72"			24.41" x 20.87"		27.56" x 21.65"		33.46" x 25.59"	
Diameter of shank hole	in.								
	2.63"			3.13"		3.13"		3.13"	
Bolster (widthxdepthxthickness)	in.								
	S, L = 39.37" x 23.62" x 5.51" H = 39.37" x 18.11" x 5.51"			43.31" x 26.77" x 5.91"		49.21" x 29.92" x 6.5"		57.09" x 33.07" x 7.48"	
Motor output	hp.								
	10			15		15		20	

Komatsu America Industries, LLC 1701 Golf Road • Rolling Meadows, Illinois 60008
phone: 847.437.3888 • fax: 847.437.1811 • www.komatsupress.com